



Blue Star
ENGINEERS

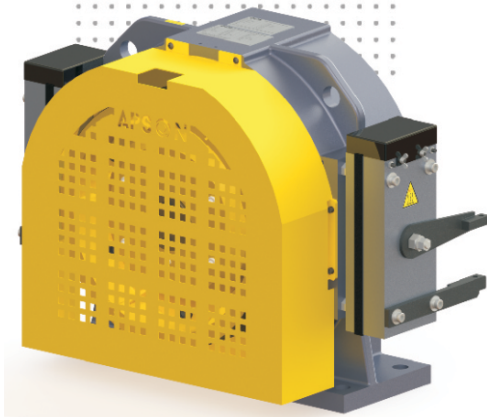
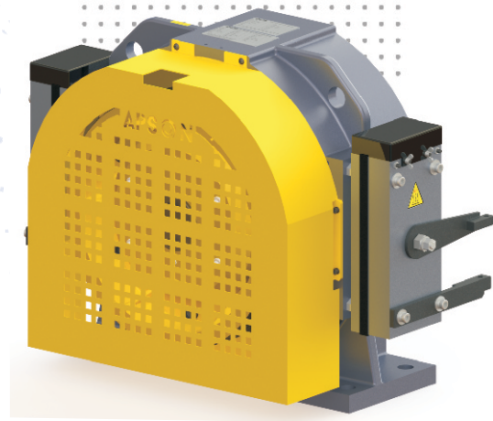
MFG: ALL TYPES OF ELEVATOR'S PARTS

All Types of Elevator Parts



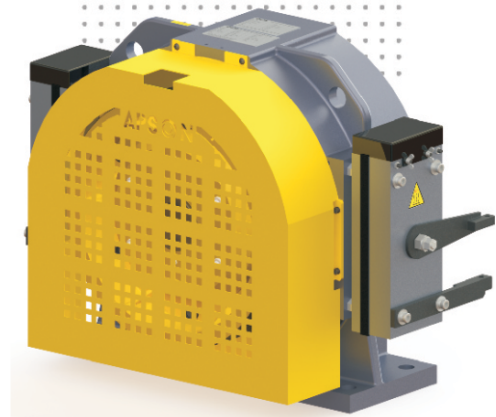
S - 100

Static Local	2000
Duty Local	340 kg
Async Speed (M/ S)	0.63
HP	5 HP



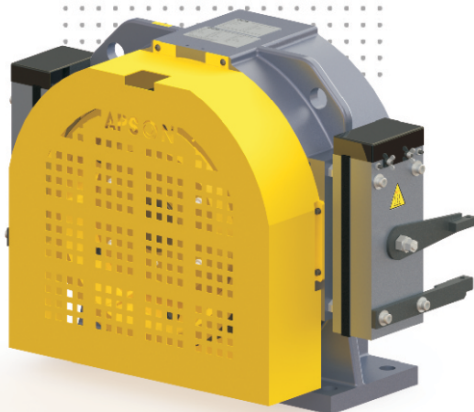
S - 1255

Static Local	3000
Duty Local	408 kg
Async Speed (M/ S)	0.63
HP	5 HP



S - 125N

Static Local	3000
Duty Local	408 kg
Async Speed (M/ S)	0.63
HP	7.5 HP

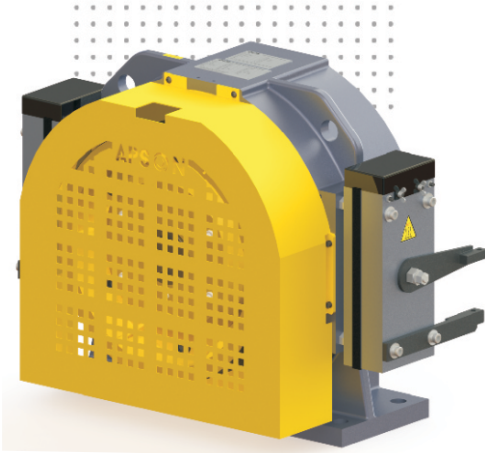
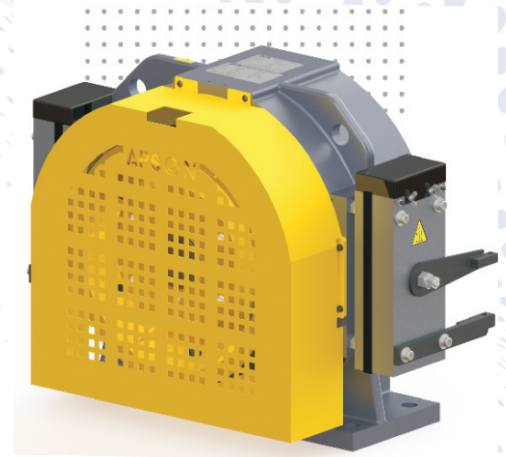


S - 135

Static Local	380kg
Duty Local	408 - 680kg
Async Speed (M/ S)	0.-1
HP	10 HP

Gear Less Apson

Static Local	1500 - 3000
Duty Local	408 - 680 kg
Async Speed (M/ S)	0.5 - 1 M/S
HP	2.4 kw - 9.10 kw



MS Door

Static Local	3000
Duty Local	408 kg
Async Speed (M/ S)	0.63
HP	5 HP



SS Door

Static Local	3000
Duty Local	408 kg
Async Speed (M/ S)	0.63
HP	7.5 HP



IFD

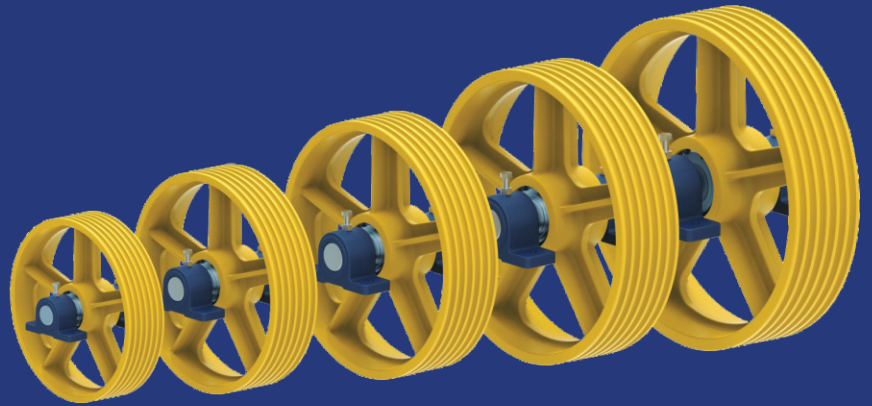
Static Local	380kg
Duty Local	408 - 680kg
Async Speed (M/ S)	0.-1
HP	10 HP



Blue Star

ENGINEERS

MFG: ALL TYPES OF ELEVATOR'S PARTS



☎ +91 8849604619 | +91 9979972229

✉ bluestarind.789@gmail.com

🌐 www.bluestarindustries.in

📍 1, ShivKrupa Industrial Estate, Near Cidf Camp,
Odhav Ring Road, Ahmedabad - 382415,
Gujarat, INDIA.

